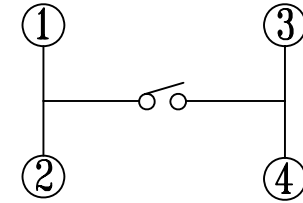
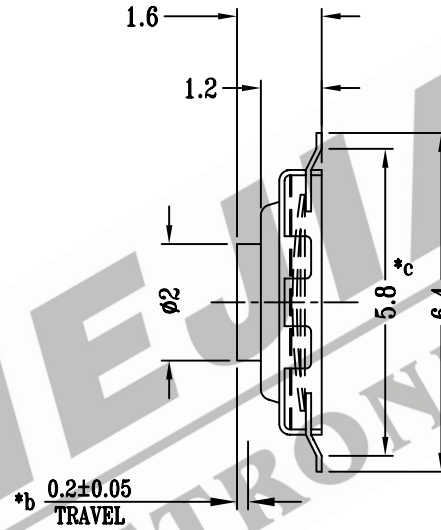
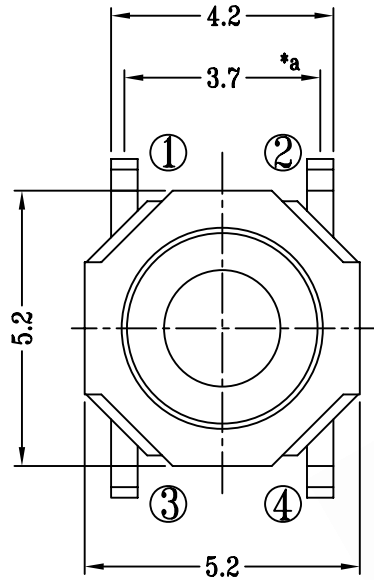
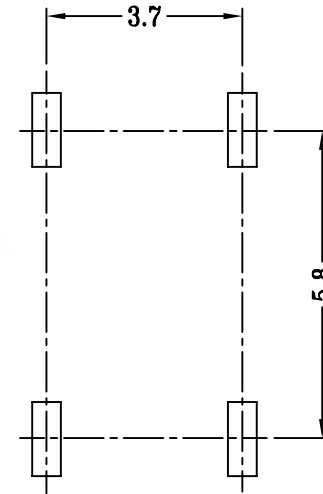


CAD FILE:



SCHEMATIC



P.C.B. LAYOUT

XIEJIA ELECTRONICS

注:带"*"表示关键尺寸(3个)

8					TOLERANCE UNLESS SPECIFIED WITHIN: 1.5±0.1mm OVER: 1.5±0.2mm	SHENZHEN XIEJIA ELECTRONICS CO.,LTD.			
7									
6						ISSUE	DATE	DESCRIPTIONS OF REVISION	APPD.
5	SEAL PLATE	PET	1	YELLOW	TITLE : TACT SWITCH MODEL: TD-13MA ALL MATERIALS MUST BE COMPLIANT TO ROHS	UNIT : mm SCALE: 7:1	DRWG NO.: XJ-DR-TD13MA-00		
4	CONTACT	SUS	1	Ag CLAD			DWN.	ZHOUYU	2003-5-29
3	CASE	NYLON+F.G+94V0/PBS STRIP	1	BLACK/Ag PLATED OVER Ni PLATED			CHK'D	FANGYING	2003-5-29
2	COVER	SUS	1	WASHING			APPD.	KANGXINAN	2003-5-29
1	COPPER KNOB	BRASS	1	NATURAL					
NO.	PARTS	MATERIALS	Q'TY	FINISH					